



ASSEMBLY INSTRUCTIONS

MOBILE LEAD PORTA SHIELD - 5 LEG BASE
LB-MB-2424, LB-MB-2436, LB-MB-2448



ABOUT PHILLIPS SAFETY

Phillips Safety is the industry leader in occupational safety eyewear. In business for over 100 years, you are being served with the dedication and craftsmanship of a family owned company.

Phillips Safety has been producing occupational safety glasses since 1905 and continues to develop and produce the highest quality glasses and lenses today. A leading manufacturer of specialty safety eyewear in the United States, Phillips Safety adheres to strict ANSI Z87-2+ and EN 207 CE standard certifications, holding itself to the highest

standard and prides itself on producing glasses with the finest quality materials available.

All safety glasses produced and sold by Phillips Safety meet strict industry standards for military, medical, research laboratories, and a variety of other industries.


With Phillips Safety's dedicated team, you can rest assured knowing that all your prescription safety needs are met.

ASSEMBLY INSTRUCTIONS

MOBILE LEAD PORTA SHIELD | LB-MB-2424, LB-MB-2436, LB-MB-2448

PARTS LIST

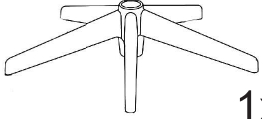
Caster Wheels



5x

A


5 Leg Base



1x

B

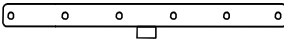
Metal Pole



1x

C

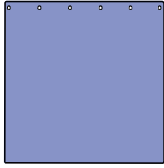
Top Trail



1x

D

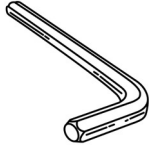
Leaded Shield



1x

E

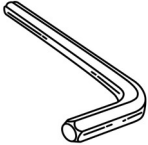
1/8 Allen Wrench



1x

F

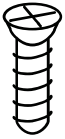
5/32 Allen Wrench



1x

G

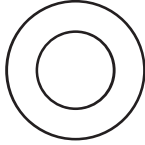
3/4 Phillips Head Bolts



6x

H


1/4 Steel Washers



12x

I


1/4 Wing Nuts



6x

J

3" Screwdriver



1x

K

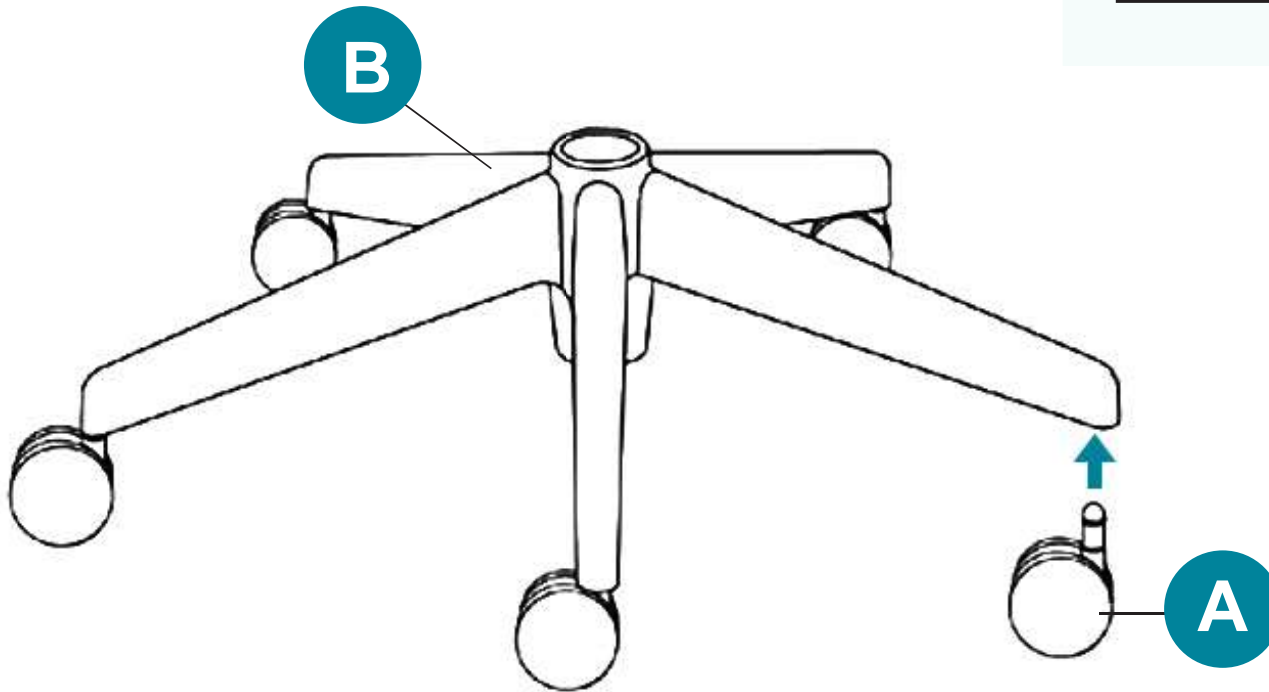
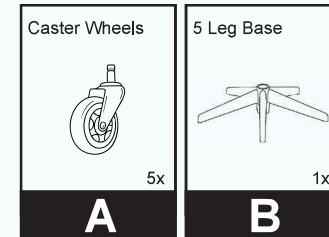
ASSEMBLY INSTRUCTIONS

MOBILE LEAD PORTA SHIELD | LB-MB-2424, LB-MB-2436, LB-MB-2448

STEP 1

1. Get the 5 Leg Base **B** and face upwards.
2. Attach the Caster Wheels **A** to the 5 Leg Base **B** holes with the pre-installed screws.
3. Repeat the process until you have the 3 Caster Wheels attached to the 5 Leg Base **B**.

PARTS NEEDED



T-BASE ASSEMBLY

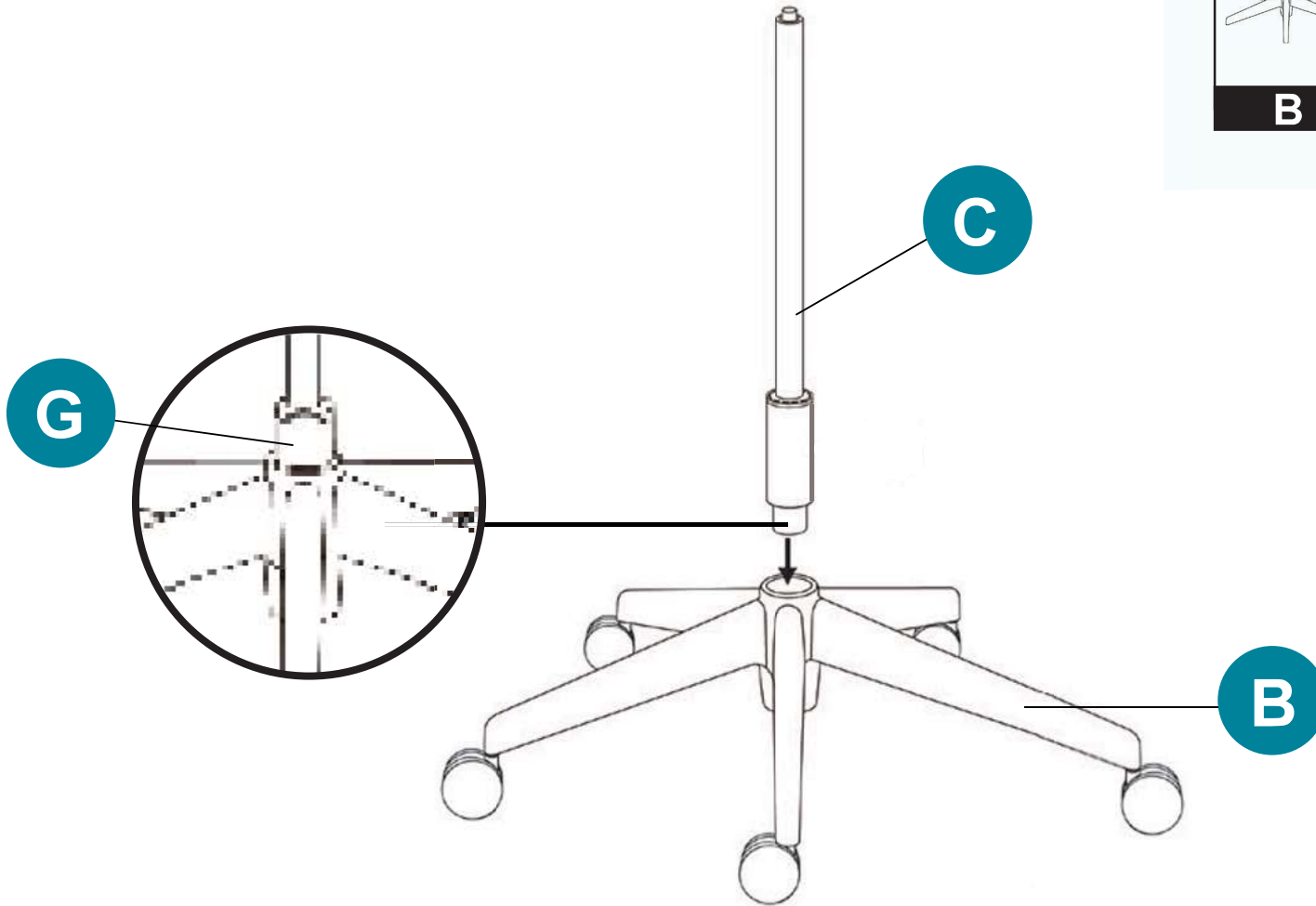
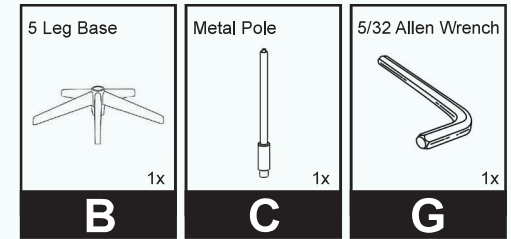
ASSEMBLY INSTRUCTIONS

MOBILE LEAD PORTA SHIELD | LB-MB-2424, LB-MB-2436, LB-MB-2448

STEP 2

4. Insert the Metal Pole **C** into the 5 Leg Base **B**.
5. Make sure the Metal Pole **C** is straight and align.
6. Secure using the 5/32 Allen Wrench **G**.

PARTS NEEDED



METAL POLE BASE

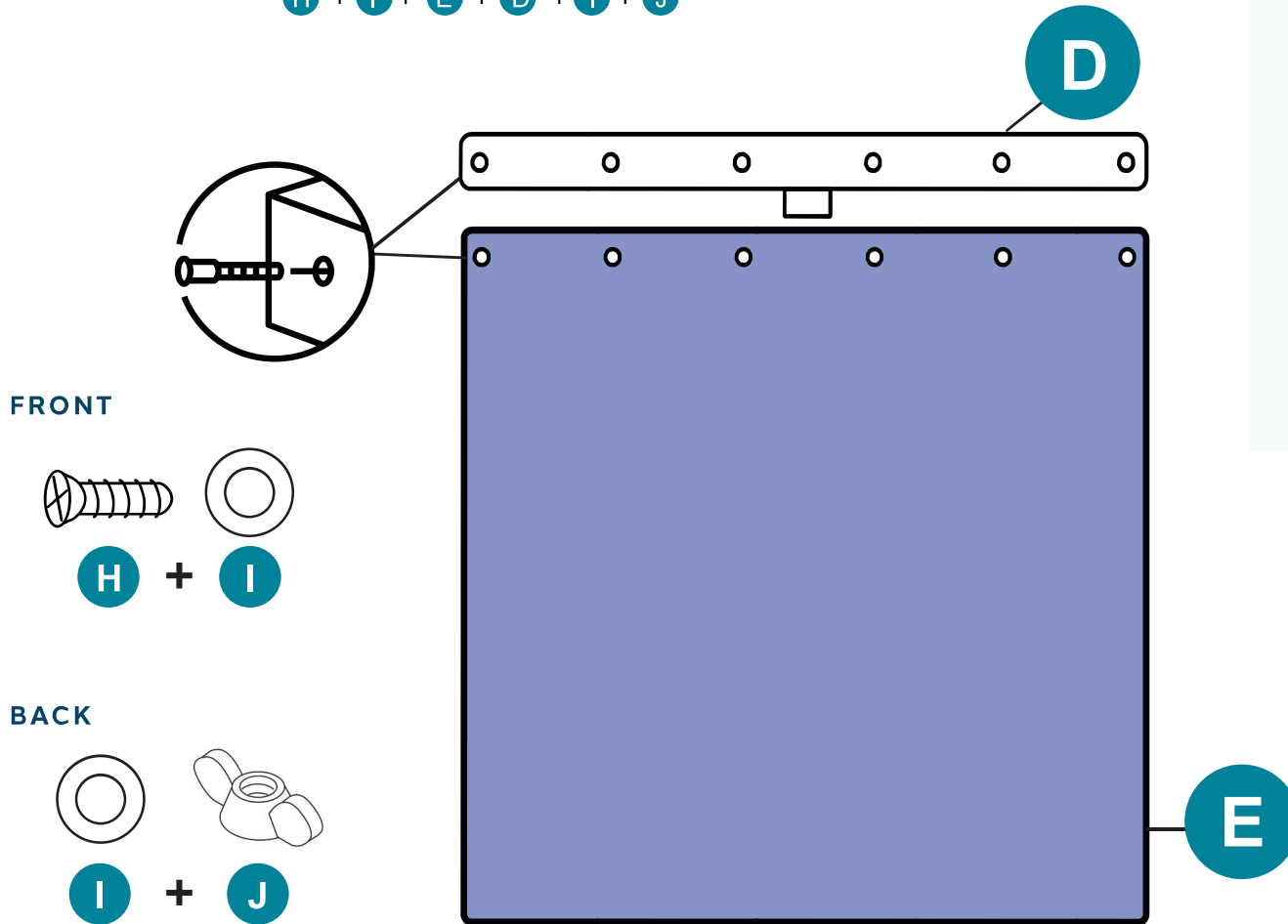
ASSEMBLY INSTRUCTIONS

MOBILE LEAD PORTA SHIELD | LB-MB-2424, LB-MB-2436, LB-MB-2448


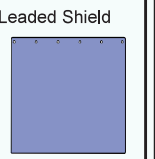

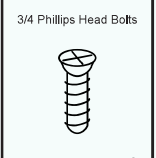
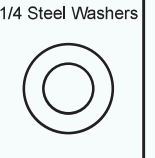

STEP 3

- Align the Lead Shield **E** with the Top Trail **D** holes.
- To secure the Lead Shield **E** in place use the hardware in the following order:

H + **I** + **E** + **D** + **I** + **J**



PARTS NEEDED

 Top Trail 1x D	 Lead Shield 1x E	 3" Screwdriver 1x K
 3/4 Phillips Head Bolts 6x H	 1/4 Steel Washers 12x I	 1/4 Wing Nuts 6x J

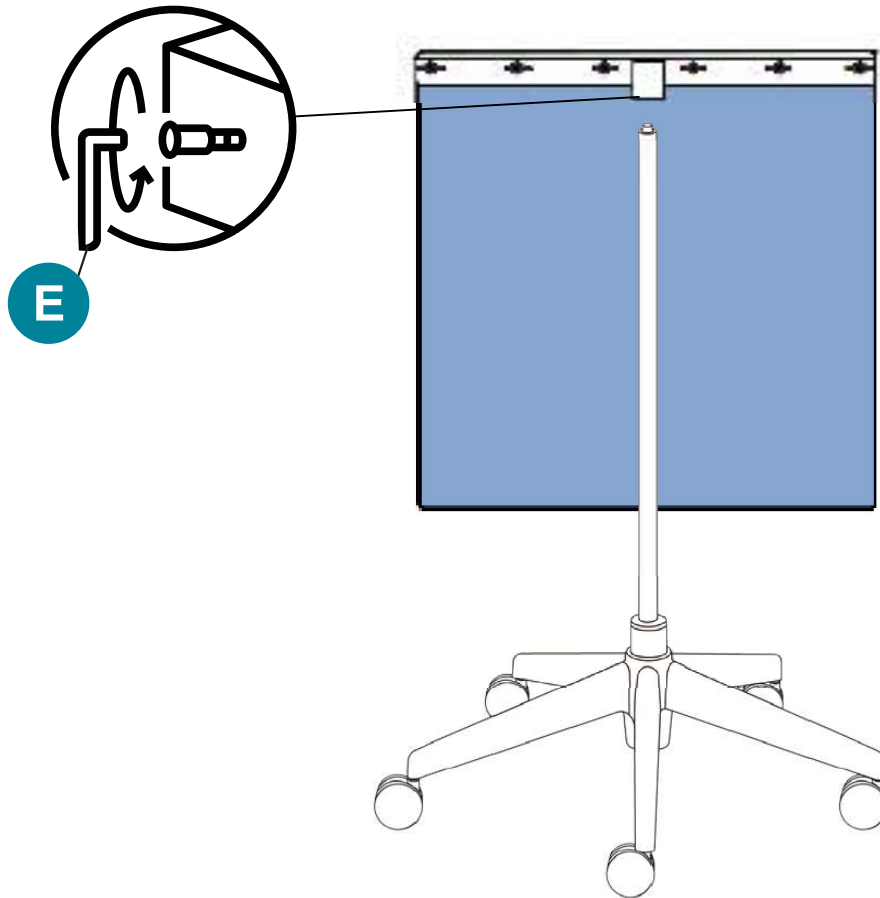
TOP TRAIL ASSEMBLY

ASSEMBLY INSTRUCTIONS

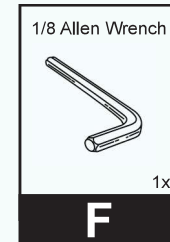
MOBILE LEAD PORTA SHIELD | LB-MB-2424, LB-MB-2436, LB-MB-2448

STEP 4

7. Attach the **assembled Top Trail** into the **assembled Metal Pole**.
8. Use the 1/8 Allen Wrench **F** to secure both pieces.
9. Adjust height as needed.



PARTS NEEDED



FINAL ASSEMBLY

PHILLIPS-SAFETY.COM

ASSEMBLY INSTRUCTIONS

MOBILE LEAD PORTA SHIELD | LB-MB-2424, LB-MB-2436, LB-MB-2448

CONTACT

Should you need any further information,
please do not hesitate to contact us.

123 Lincoln Blvd, Middlesex, NJ 08845, USA 

+1 (866) 757 1307 

service@phillips-safety.com 

www.phillips-safety.com 



[PHILLIPS-SAFETY.COM](https://www.phillips-safety.com)